

# Auto SPT Hammer

## Specification Sheet



### Specifications

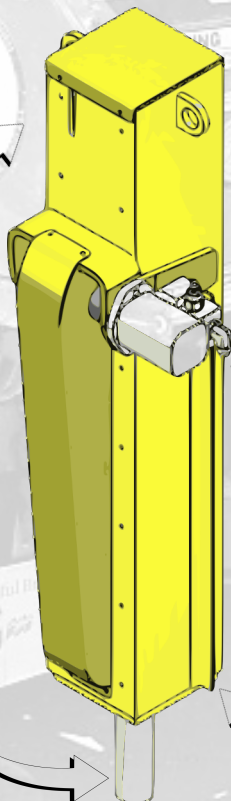
<b>Ram Weight</b>	<b>140 Lbs</b>
<b>Weight</b>	<b>245 lbs</b>
<b>Drop Height</b>	<b>30 Inches</b>
<b>Hits Per Minute</b>	<b>46</b>

Hydraulically operated by the Drill Rig/Skid Steer hydraulics or Power Pack.

**OPERATING PRESSURE 1000 PSI Minimum**

**FLOW RATE: 8 GAL/MIN (25 GPM MAX)**

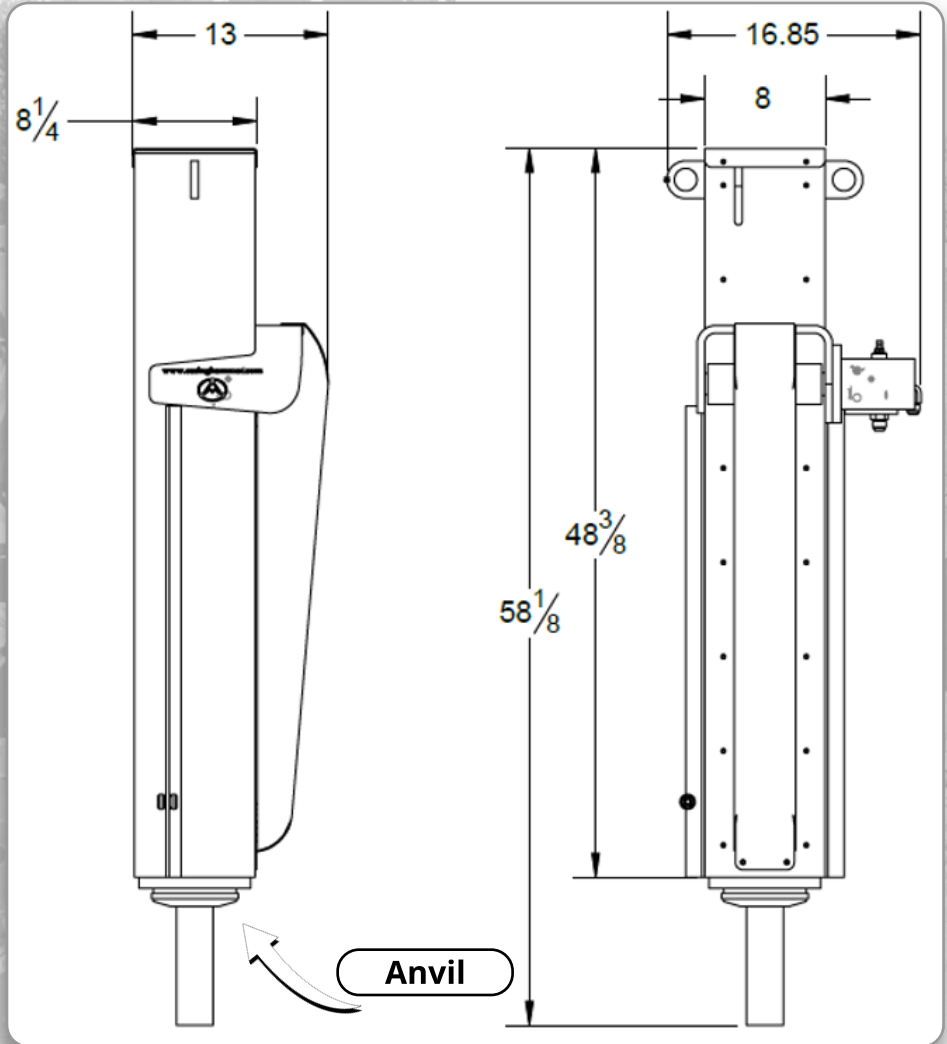
**Drop Height Indicator Window**



**Hydraulic Ports**

**Mounting Guide (Optional)**

**Anvil Drive Adapter (removable)**



**Designed to collect**  
**-Surface Split Spoon,**  
**-Dynamic Cone Penetration Test (DCPT)**  
**-Standard Penetration Test (SPT) data.**

Adheres to ASTM D1586-11 - Standard

Many mounting options available including:  
 Drill Rig, Skid Steer, Limited Access Drill Rig  
 Custom Options Also Available